

Technical Specifications VL-2500

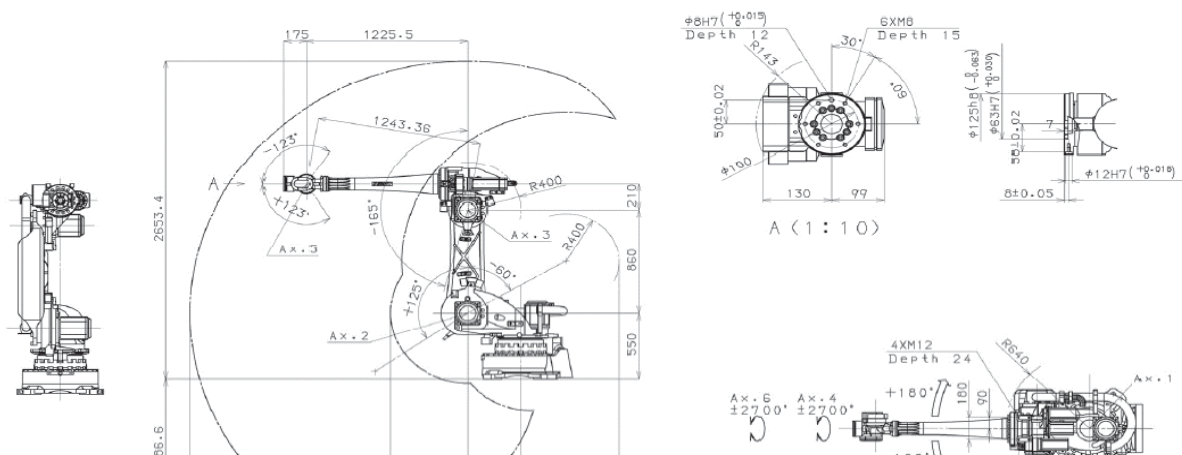
Item		Specifications
Model of robot unit		VL-1500
Axes		6
Position detection		Absolute encoder
Drive motor and brake		All-axis servo motor / all-axis brake
Total arm length (No. 1 arm + No. 2 arm)		2085.5 (860 + 1225.5) mm
Maximum motion area(Point P)		2503 mm
Motion range *1	J1 (No.1 axis)	360 ($\pm 180^{\circ}$)
	J2 (No.2 axis)	185 (-60° ~ 125°)
	J3 (No.3 axis)	160 (-160° ~ 0°)
	J4 (No.4 axis)	5400 (± 2700)
	J5 (No.5 axis)	246 (± 123)
	J6 (No.6 axis)	5400 (± 2700)
Maximum payload		40 kg
Maximum joint speed	J1	170 deg/sec
	J2	150 deg/sec
	J3	165 deg/sec
	J4	265 deg/sec
	J5	250 deg/sec
	J6	340 deg/sec
Position repeatability(at the center of an end-effector mounting face)(*2)		± 0.06 mm
Maximum allowable moment	J4,J5	167 Nm
	J6	98 Nm
Protection grade		Protected type : IP65 Protected type : IP67 (motors & wrist)
Weight		Approx. 655 kg

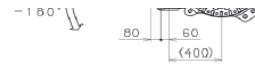
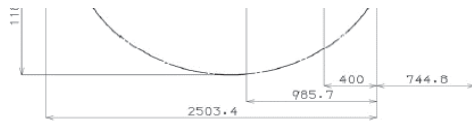
*1. For positive/negative directions, see dimensional drawing and range of operation drawing.

*2. When installed at an angle, the angle of operation will be subject to limitations.

*3. Can be used as Profibus, DeviceNet, or Profinet by connecting the multi-bus cable

External Dimensions for Standard Type Unit:mm





Standard Components

Group	Item	Q'ty
Robot & Accessoires	Robot unit	1
	Motor & encode cable (oprion)	1
	Sheet of direction indicator labels	1
	Connector set for hand signals (for CN20 and CN21)	1 set
	Dowel pins (internally threaded positioning pin and diamond-shaped pin)	1 set
Controller & Accessoires	Robot controller	1
	Power cable (5m)	1
	Pendantless conector (Dummy connector)	1
	Cable clamp	1
Software etc.	WINCAPS III trial version installer disc	1
	Manuals ("Manual Pack disc" and "Safety Precautions")	1 set
	Warning label	1